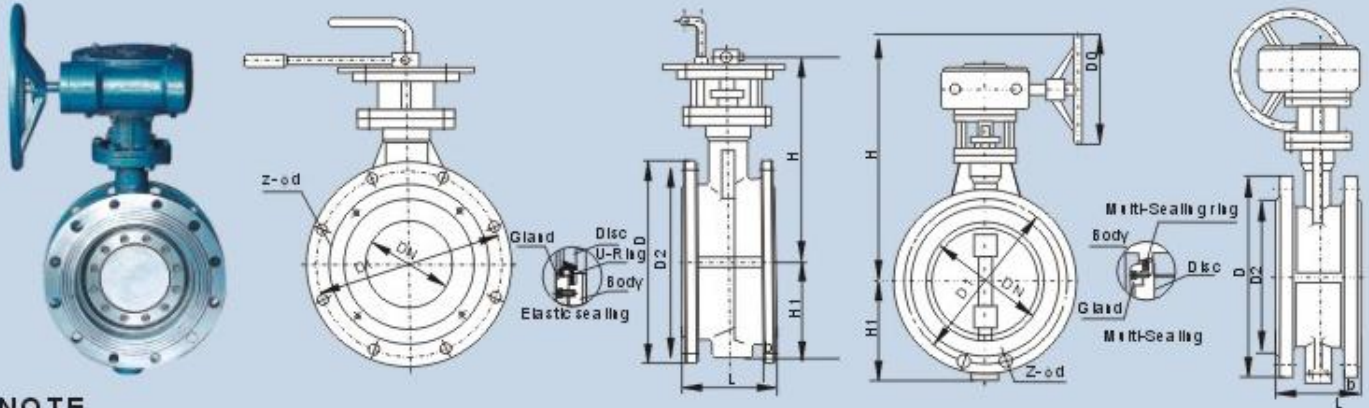


JIS Flange connection metallic seal butterfly valve



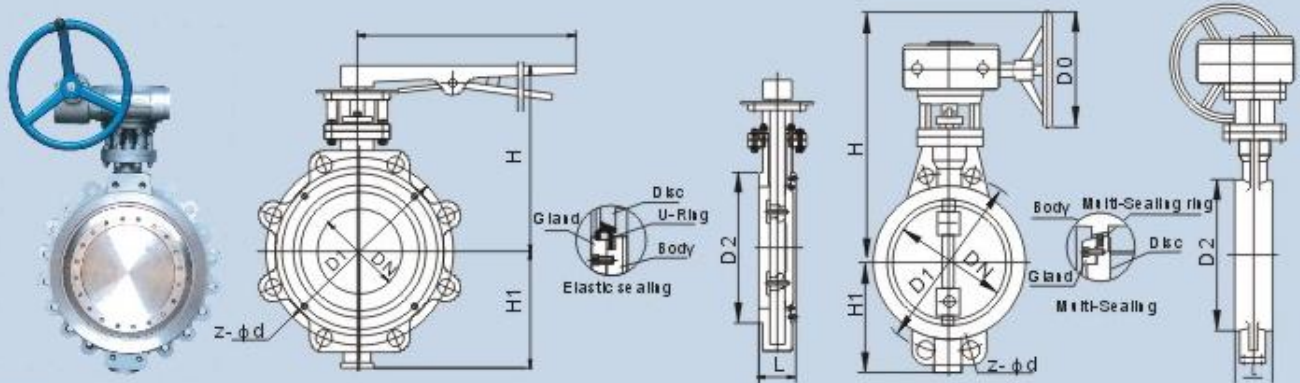
NOTE

1. Design Manufacture According to JISB2032
2. Face to Face According to ISO5752 of 13th seria
3. End Flange Dimension According to JISB2003-1987
4. Valve Check and Test According to JISB2003-1987

Flange connection, main dimension and weight

Pressure	DN Nominal Diameter		(Mm) Dimension										(Kg) Weight	
	mm	in	L	D	D1	D2	b	Z-φd	D0	H1	H		D41	D341
											D41	D341		
10K	40	1 1/2	106	140	105	85	16	4-19	140	76	198	248	8	11.5
	50	2	108	155	120	100	16	4-19	140	85	202	254	9	12.5
	65	2 1/2	112	175	140	120	18	4-19	160	95	222	278	12	17
	80	3	114	185	150	130	18	4-19	160	106	246	312	14	21
	100	4	127	210	175	155	18	8-19	180	114	270	330	17.5	24.5
	125	5	140	250	210	185	20	8-19	180	130	294	368	23.5	30.5
	150	6	140	280	240	215	22	8-23	230	148	326	404	32	42.5
	200	8	152	330	290	265	22	8-23	230	176	-	496	-	86
	250	10	165	400	355	325	24	12-23	280	210	-	558	-	114
	300	12	178	445	400	370	24	12-25	310	238	-	632	-	142
	350	14	190	490	445	415	26	16-25	310	270	-	672	-	198
	400	16	216	560	510	475	28	16-25	310	302	-	714	-	268
	450	18	222	620	565	530	30	16-27	380	332	-	768	-	358
	500	20	229	675	620	585	30	20-27	380	370	-	828	-	468
600	24	267	795	730	690	32	20-27	450	432	-	952	-	608	
20K	40	1 1/2	106	140	105	85	18	24-33	140	76	198	248	9.5	13
	50	2	108	155	120	100	18	4-19	140	85	202	254	10.5	14
	65	2 1/2	112	175	140	120	20	8-19	180	95	222	288	14	19
	80	3	114	200	160	135	22	8-19	180	106	246	322	16.5	23.5
	100	4	127	225	185	160	24	8-23	230	122	278	355	20.5	27.5
	125	5	140	270	225	195	26	8-25	230	140	304	392	27	34
	150	6	140	305	260	230	28	12-25	280	156	336	428	37	47.5
	200	8	152	350	305	275	30	12-25	280	186	-	520	-	92
	250	10	165	430	380	345	34	12-27	310	220	-	574	-	121
	300	12	178	480	430	395	36	16-27	380	250	-	668	-	152
	350	14	190	540	480	440	40	16-33	380	288	-	708	-	212
	400	16	216	605	540	495	46	16-33	380	322	-	750	-	284
	450	18	222	675	605	560	48	20-33	450	348	-	802	-	380
	500	20	229	730	660	615	50	20-33	450	378	-	862	-	498
600	24	267	845	770	720	54	24-39	560	434	-	1006	-	640	

ANSI Wafer connection metallic sealing butterfly valve



NOTE

1. Design Manufacture According to MSS-SP-68
2. Face to Face According to ISO5752 of 13th seria
3. End Flange Dimension According to ANSI B16.5
4. Valve Check and Test According to API598

Wafer connection, main dimension and weight

Pressure	DN Nominal Diameter		(mm) Dimension							H		(Kg) Weight	
	in	mm	L	D1	D2	Z-φd	D0	H1	D71	D371	D71	D371	
									H		Weight		
Class 150	1 1/2	38	33	98.5	73	4-15	140	76	200	250	3.5	7	
	2	51	43	120.5	92	4-19	140	85	208	260	5	8.5	
	2 1/2	64	46	139.5	105	4-19	160	95	228	284	6	11	
	3	76	48	152.5	127	4-19	160	110	256	322	8.5	15.5	
	4	102	54	190.5	157	8-19	180	122	278	338	11.5	18.5	
	5	127	57	216	186	8-22	180	138	298	372	16	22.5	
	6	152	57	241.5	216	8-22	230	158	326	404	20.5	28	
	8	203	64	298.5	270	8-22	230	188	-	496	-	50	
	10	254	71	362	324	12-25	280	224	-	558	-	64	
	12	305	81	432	381	12-25	310	254	-	632	-	80	
	14	337	92	476	413	12-29	310	288	-	672	-	104	
	16	387	102	540	470	16-29	310	320	-	714	-	137.5	
	18	438	114	578	533	16-32	380	350	-	768	-	177.5	
	20	489	127	635	584	20-32	380	388	-	828	-	227	
24	591	154	749.5	692	20-35	450	404	-	952	-	306.5		
Class 300	1 1/2	38	33	114.5	73	4-22	140	76	200	250	4.5	8.5	
	2	51	43	127	92	8-19	140	85	208	260	6	9.5	
	2 1/2	64	46	149	105	8-22	180	95	228	294	7	12	
	3	76	48	168.5	127	8-22	180	110	256	332	9.5	17	
	4	102	54	200	157	8-22	230	130	285	364	13	20	
	5	127	59	235	186	8-22	230	148	308	396	18	24.5	
	6	152	59	270	216	12-22	280	165	336	430	22.5	30.5	
	8	203	73	330	270	12-25	280	198	-	522	-	54	
	10	254	83	387.5	324	16-29	310	234	-	574	-	68	
	12	305	92	451	381	16-32	380	266	-	668	-	86	
	14	337	117	514.5	413	20-32	380	302	-	708	-	112	
	16	387	133	571.5	470	20-35	380	338	-	750	-	148	
	18	432	149	628.5	533	24-35	450	365	-	804	-	190	
	20	483	159	686	584	24-35	450	402	-	862	-	242	
24	584	181	813	692	24-41	560	448	-	1008	-	326		