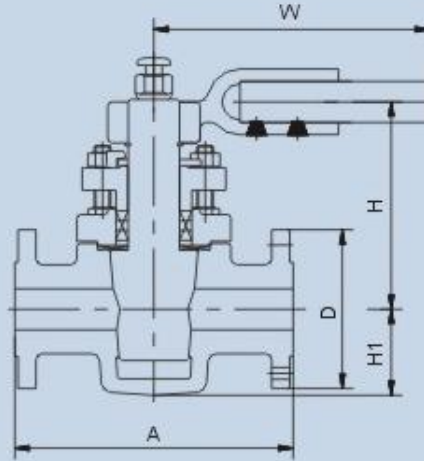


Self-Lubricating Plug valves



Usage:

Mainly it is used to be service controller in oil, natural gas, chemical industries & etc. Field. Completed with pneumatic or electric actuator, the valve can be controlled by long-distance.

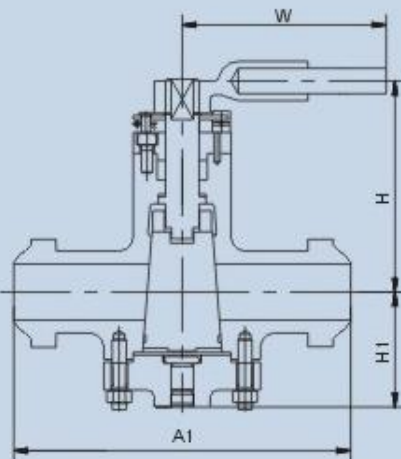
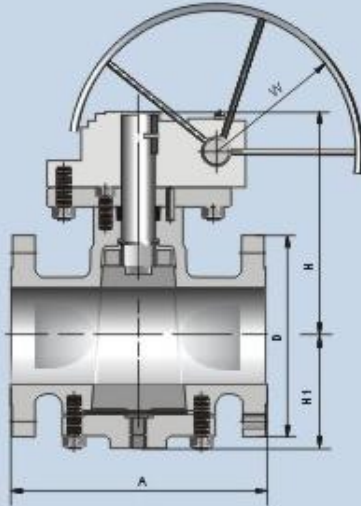
Main Size and Weight

CLASS 150								
NPS Inch	A	A1	D	H	H1	W	WT	T
	mm	mm	mm	mm	mm	mm	Kg	N.m
1 1/2	165	165	127	130	50	450	5	60
2	178	267	152	150	70	500	12	70
2 1/2	191	305	178	165	85	500	18	120
3	203	330	190	185	95	600	21	175
4	229	356	229	230	114	700	36	250
CLASS 300								
NPS Inch	A	A1	D	H	H1	W	WT	T
	mm	mm	mm	mm	mm	mm	Kg	N.m
1 1/2	191	191	155	130	50	450	6	85
2	216	267	165	160	70	500	18	100
2 1/2	241	305	190	210	102	500	23	210
3	283	330	210	230	114	600	25	250
4	305	356	254	250	140	700	44	350

Pressure Balanced Plug valves

Characters:

1. Manual and gear operated. To avoid operating valve by mistake, valve can be with padlock fitting.
2. Anti-static design.
3. Sealant injection system on body and stem.



Main Size and Weight

Short Pattern		CLASS 150						
NPS	A	A1	D	H	H1	W	WT	T
Inch	mm	mm	mm	mm	mm	mm	Kg	N.m
2	178	267	152	175	106	350	18	80
3	203	330	190	180	127	600	31	180
4	229	356	229	214	158	700	50	250
6	267	457	279	270	185	900	93	320
* 8	292	521	343	370	220	600	299	1100
* 10	330	559	406	420	250	600	320	1520
* 12	356	635	483	490	310	600	350	2100

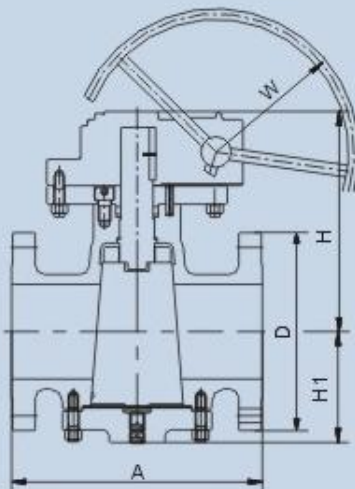
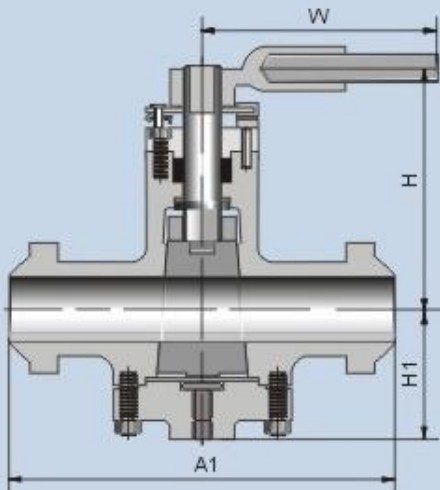
Venturi Pattern		CLASS 150						
NPS	A	A1	D	H	H1	W	WT	T
Inch	mm	mm	mm	mm	mm	mm	Kg	N.m
* 10	533	559	406	420	250	600	335	1520
* 12	610	635	483	490	310	600	365	2100
* 14	686	686	533	495	315	600	386	2400
* 16	762	762	597	640	360	700	495	2720
* 18	864	864	635	680	420	762	620	2950
* 20	914	914	698	735	470	762	700	3020
* 24	1067	1067	813	790	520	762	820	3812

Short Pattern		CLASS 300						
NPS	A	A1	D	H	H1	W	WT	T
Inch	mm	mm	mm	mm	mm	mm	Kg	N.m
2	216	267	165	184	104	500	23	100
3	283	330	210	185	117	600	38	250
4	305	356	254	265	143	700	68	356
6	403	457	318	307	180	900	142	720
* 8	419	521	381	390	203	600	202	1450
* 10	457	559	445	430	233	600	278	2210
* 12	502	635	521	580	285	700	375	2712

Venturi Pattern		CLASS 300						
NPS	A	A1	D	H	H1	W	WT	T
Inch	mm	mm	mm	mm	mm	mm	Kg	N.m
6	403	457	318	307	180	900	142	720
* 8	419	521	381	390	203	600	202	1450
* 10	457	559	445	430	233	600	278	2210
* 12	502	635	521	580	285	700	375	2712
* 14	762	762	584	630	312	700	510	3500
* 16	838	838	648	735	345	762	620	4100
* 18	914	914	711	780	410	762	730	5200
* 20	991	991	775	830	470	762	870	6210
* 24	1143	1143	914	880	520	762	1020	8100

Reduced Bore Pattern		CLASS 600						
NPS	A	A1	D	H	H1	W	WT	T
Inch	mm	mm	mm	mm	mm	mm	Kg	N.m
2	292	292	165	175	101	500	24	200
3	356	356	210	180	121	770	45	380
4	432	432	273	250	150	1100	85	720
6	559	559	356	340	185	1100	194	1200
* 8	660	660	419	405	216	600	305	2500
* 10	787	787	508	555	276	700	620	3000

* Gear operated



Main Size and Weight

Venturi Pattern		CLASS 600						
NPS Inch	A	A1	D	H	H1	W	WT	T
	mm	mm	mm	mm	mm	mm	Kg	N.m
6	559	559	356	340	185	1100	194	1200
* 8	660	660	419	405	216	600	305	2500
* 10	787	787	508	555	276	700	620	3000
* 12	838	838	559	680	310	762	932	6000
* 14	889	889	603	720	340	762	1150	8200
* 16	991	991	686	765	370	762	1380	9120
* 18	1092	1092	743	800	420	762	1620	10800
* 20	1194	1194	813	860	470	762	1921	14050

Reduced Bore Pattern		CLASS 900						
NPS Inch	A	A1	D	H	H1	W	WT	T
	mm	mm	mm	mm	mm	mm	Kg	N.m
2	368	/	216	172	120	700	55	230
3	381	381	241	212	130	800	70	500
4	457	457	292	240	135	1000	116	750
* 6	610	610	381	320	180	600	236	1600
* 8	737	737	470	370	220	700	420	3200
* 10	838	838	546	420	260	762	860	6500

Venturi Pattern		CLASS 900						
NPS Inch	A	A1	D	H	H1	W	WT	T
	mm	mm	mm	mm	mm	mm	Kg	N.m
* 6	610	610	381	320	180	600	236	1600
* 8	737	737	470	370	220	700	420	3200
* 10	838	838	546	420	260	762	860	6500
* 12	965	965	610	470	300	762	1250	8100
* 16	1130	1130	705	530	350	762	1650	9800

Reduced Bore Pattern		CLASS 1500						
NPS Inch	A	A1	D	H	H1	W	WT	T
	mm	mm	mm	mm	mm	mm	Kg	N.m
2	368	/	216	260	125	800	63	250
3	470	470	267	310	140	1000	74	560
4	546	546	311	355	180	1200	150	912
* 6	705	705	394	430	220	600	320	3100
* 8	832	832	483	403	260	762	520	4500
* 10	991	991	584	460	310	762	950	7500
* 12	1130	1130	673	530	370	762	1300	9500

Venturi Pattern		CLASS 1500						
NPS Inch	A	A1	D	H	H1	W	WT	T
	mm	mm	mm	mm	mm	mm	Kg	N.m
* 6	705	705	394	430	220	600	320	3100
* 8	832	832	483	403	260	762	520	4500
* 10	911	911	584	460	310	762	950	7500
* 12	1130	1130	673	530	370	762	1300	9500

* Gear operated